



InterAlia

ACTUS

AC VOLTAGE INDUSTRIAL LINEAR ACTUATOR



JAN 2021



WWW.INTERALIA.SE

ABOUT ACTUS

Actus is a robust IP65 industrial actuator with an AC-voltage motor made for tough applications.

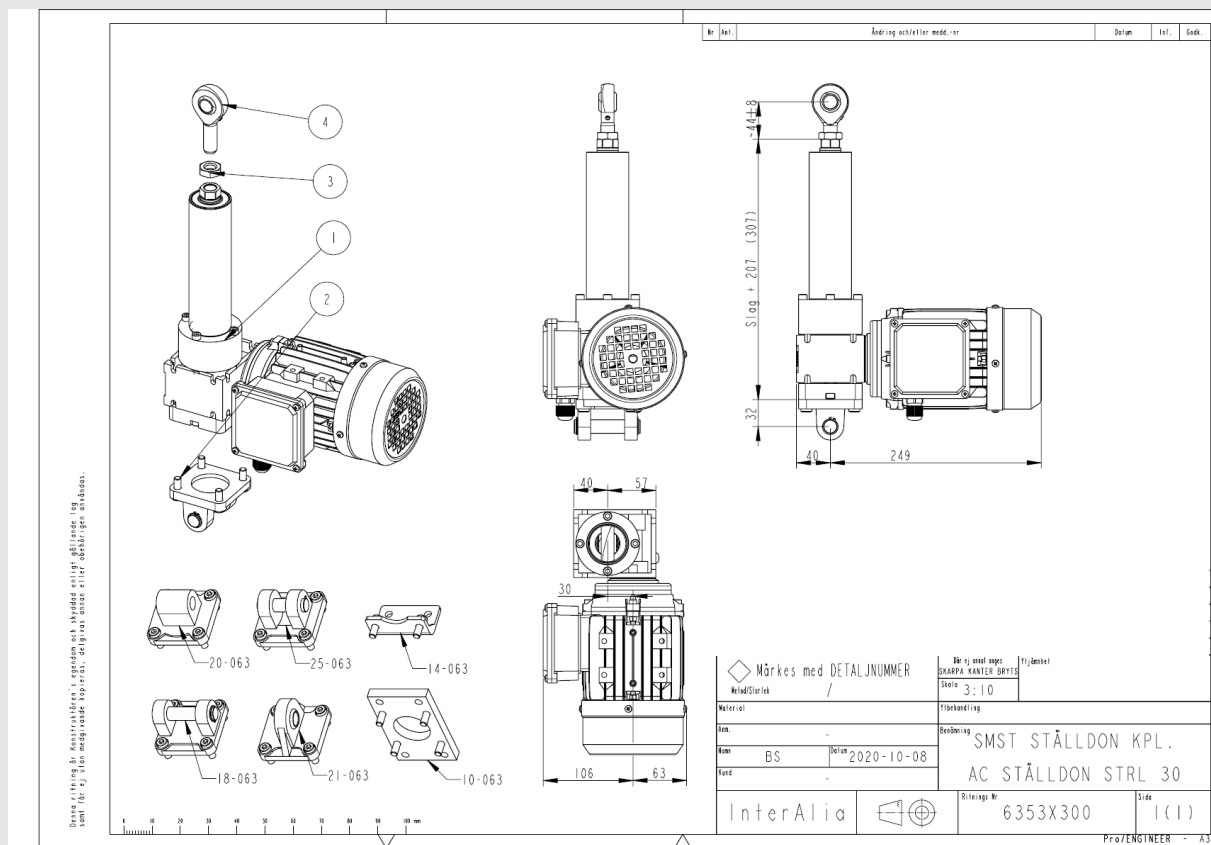
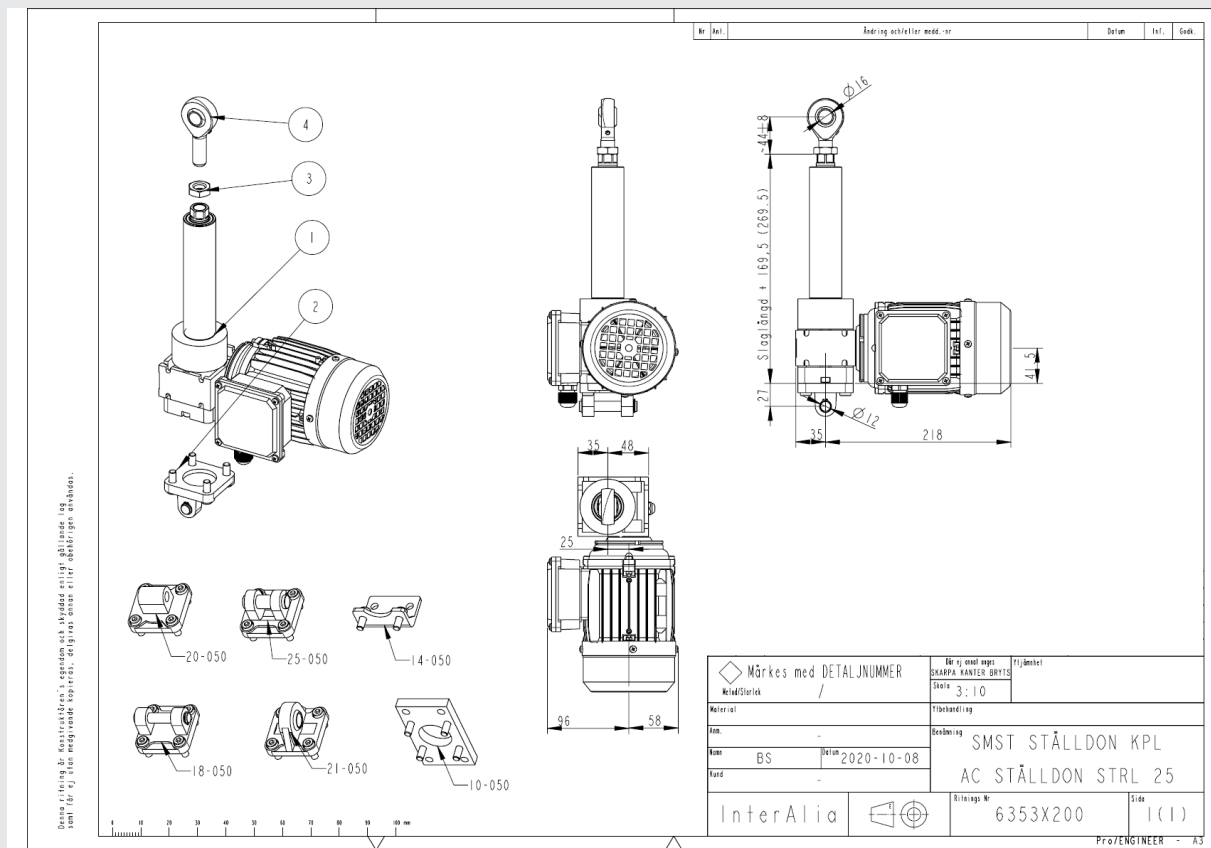


SPECIFICATIONS

- Force up to 7200 N
- Speed up to 19 mm/s
- Stroke up to 800 mm
- Stainless steel tube
- Maintenance free
- Three phase asynchronous motor
- Several front and rear mounting adapter configurations available

		Actus-025		Actus-030		Actus-040	
Force max.	[N]	1900	2800	3300	4900	5700	7200
Speed max.	[mm/s]	19	12	19	12	15	11
Stroke max.	[mm]	400	400	600	600	800	800
Input voltage	[Vac]	3 × 400					
Motor power	[kW]	0,09		0,18		0,25	
Optional ingress protection rating		IP65					
Optional anti rotation mechanism		yes					
Optional potentiometer feedback		yes					
Optional encoder feedback		yes					
Optional RAL color		yes					
Customization		yes					

DIMENSIONS





DIMENSIONS

